



SELF PROPELLED OVERSEEDER Owner's Manual

OS901SPS, OS901SPH
Beginning Serial #: 020416001

Accessories

CHARIOT KIT
Allows the user to ride behind the unit and decrease fatigue from walking.
P/N 351601

Replacement Parts

REEL KIT
Use to replace worn or damaged reels.
P/N 351603

BLADE KIT
Use to replace worn or damaged blades on the reel.
P/N 351610

Original Instructions

IMPORTANT- READ CAREFULLY BEFORE USE AND KEEP FOR FUTURE REFERENCE



OSSP Owner's Manual

CONTENTS

SPECIFICATIONS AND SOUND/VIBRATION	3
INSTRUCTION LABELS	4
PACKING CHECKLIST	5
ASSEMBLY	6
OPERATION	7-8
MAINTENANCE & TROUBLESHOOTING	9-10
PARTS LIST	11-22
DECLARATION OF CONFORMITY	23-25



OSSP Owner's Manual

SPECIFICATIONS

	OS901SPS	OS901SPH
Engine: HP'	9.0 HP (6.7kW)	9.0 HP (6.7kW)
Engine: Model	EX270D50021	GX270K1QA2
Engine: Type	Subaru	Honda
Engine: Fuel Capacity	6.4 qt. (6.1 L)	5.6 qt. (5.3 L)
Engine: Oil Capacity	1.06 qt. (1 L)	1.16 qt. (1.1 L)
Total Unit Weight:	314# (142 kg)	323# (147 kg)
Max. operating slope	15°	20°
Sound test in accordance with 2000/14/EC	104 dB(a)	104 dB(a)
Sound at operators ear	84 dB(a)	84 dB(a)
Vibration at operator position	0.81g (7.95 m/s ²)	0.81g (7.95 m/s ²)

SOUND



L_{WA}

104

SOUND LEVEL 84 dB(a) at Operators Position

Sound tests were conducted in accordance with 2000/14/EC, and were performed on 10-13-2010 under the conditions listed below.

⚠ Sound power level listed is the highest value for any model covered in this manual. Please refer to serial plate on the unit for the sound power level for your model.

General Conditions:

Temperature:

Wind Speed:

Wind Direction:

Humidity:

Barometric Pressure:

Sunny

73°F (23°C)

11 mph (17 kmh)

South West

27%

30.34Hg (770 mm Hg)

VIBRATION DATA

VIBRATION LEVEL .81g (7.95m/s²)

Vibration levels at the operator's handles were measured in the vertical, lateral and longitudinal directions using calibrated vibration test equipment. Tests were performed on 10-13-2010 under the conditions listed below.

General Conditions:

Temperature:

Wind Speed:

Wind Direction:

Humidity:

Barometric Pressure:

Sunny

66°F (19°C)

3 mph (4.8kph)

East

30.2%

29.9Hg (101.3kpa)



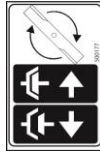
OSSP Owner's Manual

INSTRUCTION LABELS

The labels shown below were installed on your BILLY GOAT® Overseeder. If any labels are damaged or missing, replace them before operating this equipment. Item numbers from the Illustrated Parts List and part numbers are provided for convenience in ordering replacement labels. The correct position for each label may be determined by referring to the Figure and Item numbers shown.



LABEL DANGER KEEP HANDS AND FEET AWAY
ITEM #145 P/N 400424



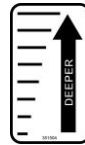
LABEL CLUTCH ITEM #142
P/N 500177



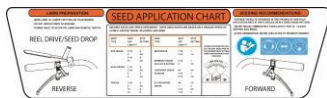
LABEL TRANS. RELEASE
ITEM #146 P/N 351507



LABEL CAUTION GUARDS
ITEM #133 P/N 900327



LABEL DEPTH GAUGE
ITEM #59 P/N 351504



LABEL INSTRUCTIONS SEEDER BOX
ITEM #56 P/N 351501
(pg 12)



LABEL SEED METERING
ITEM #66 P/N 351503
(pg 12)

ENGINE LABELS

SUBARU

	Read the owner's manual.
	Stay clear of the hot surface.
	Exhaust gas is poisonous. Do not operate in an unventilated area.
	Stop the engine before refueling.
	Fire, open flame and smoking prohibited.
	On (Run) / Off (Stop)
	Plus: Positive polarity / Battery
	Engine oil / Engine start (Electric start)
	Add oil



HONDA



■ READ OWNER MANUAL BEFORE OPERATION.
■ LIRE LE MANUEL D'UTILISATEUR AVANT USAGE.
■ VOR INBETRIEBNAHME UNBEDINGT BEDIENUNGSANLEITUNG
■ NO UTILIZAR SINANTES NO HABER LEÍDO EL
HONDA MOTOR CO., LTD. MADE IN JAPAN

OIL ALERT
■ WHEN OIL LEVEL LOW,
ENGINE STOPS IMMEDIATELY.



OSSP Owner's Manual

PACKING CHECKLIST

Your Billy Goat Overseeder is shipped from the factory in one carton.



READ all safety instructions before assembling unit.

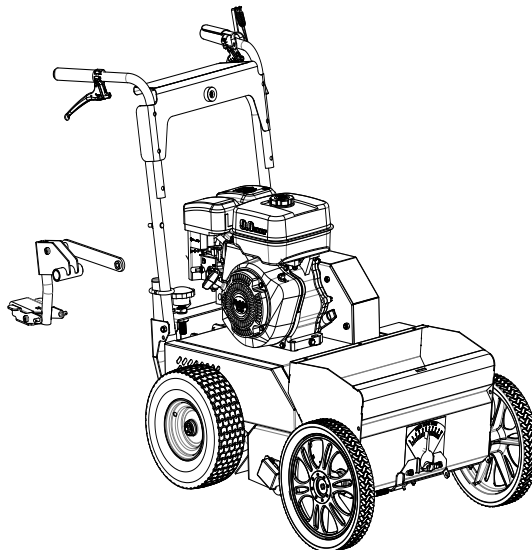
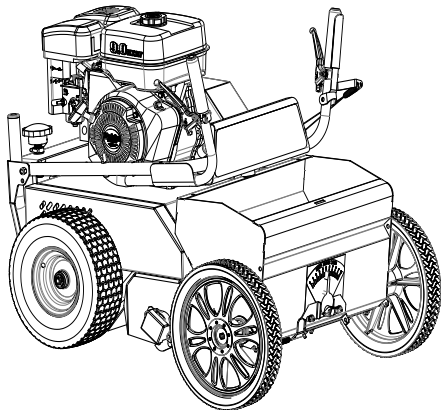
TAKE CAUTION when removing the unit from the box, the Handle Assembly is attached to the unit and cables could snag.



PUT OIL IN ENGINE BEFORE STARTING

PARTS BAG & LITERATURE ASSY

Warranty card P/N- 400972, Owner's Manual P/N-351520, General Safety and Warnings Manual P/N-100295, Declaration of Conformity P/N-351508.



Boxing Parts Checklist

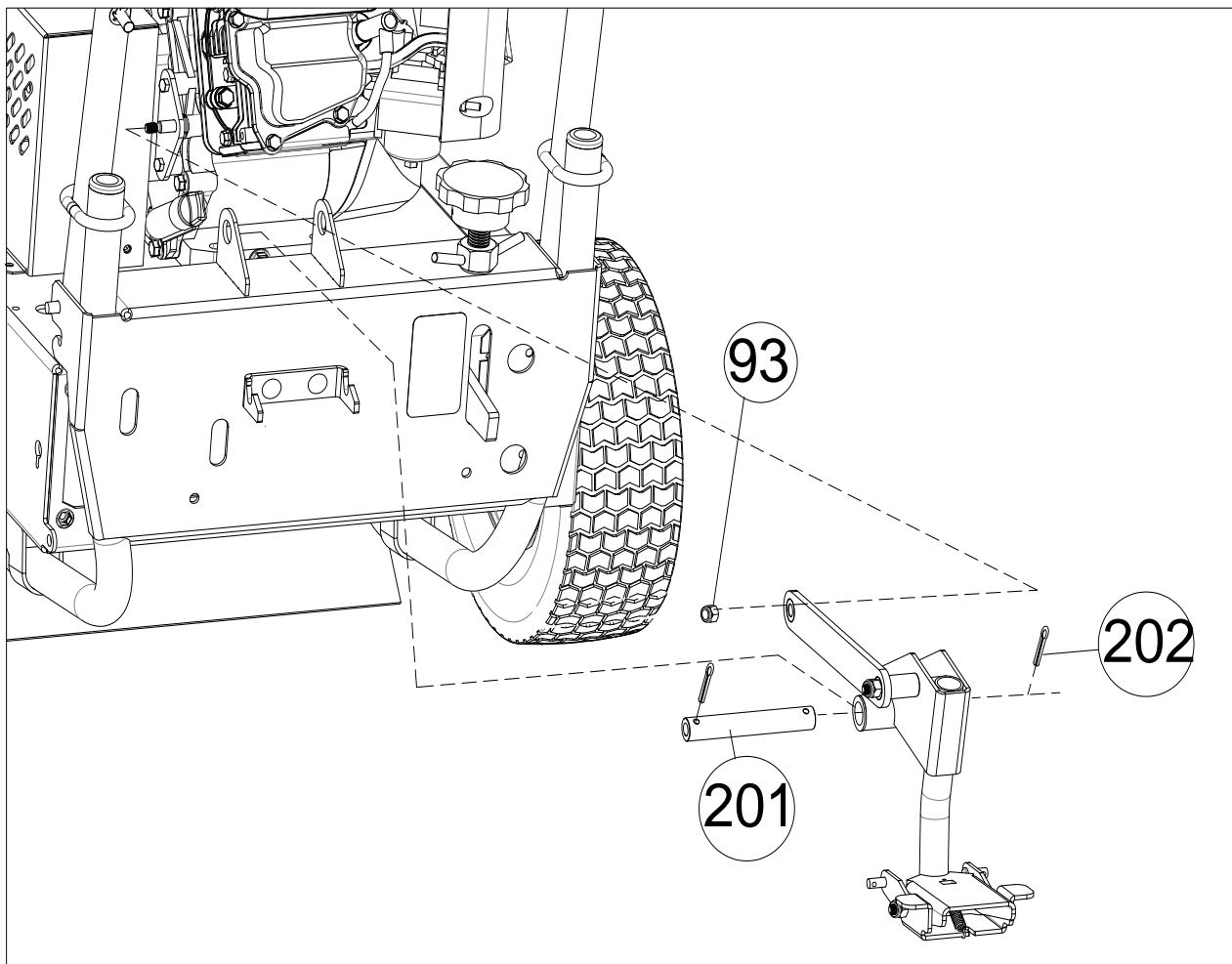
- Subaru 9 HP
- Honda 9 OHV
- Parts bag
P/N-351009
- Foot pedal
assembly



ASSEMBLY

NOTE: Items in () can be referenced in the Parts Illustrations and Parts Lists on pages 11-22.

1. **UNFOLD** the upper handle and slide handle lock loops (item 35) into place to secure the upper handle to the lower.
2. **ATTACH** the bar of the foot pedal to the bracket located on the engine. Use the lock nut (item 93) from the parts bag.
3. **ATTACH** the pedal section to the rear of the frame between the two brackets by aligning the holes and inserting the tube (item 201) from the parts bag.
4. **TAP** the two pins (item 202) into both ends of the tube installed in step 3, and using pliers, spread the cotter pins to keep it from coming out.
5. **CHECK** engine oil level and fill to proper level with engine manufacturers recommended grade of oil. Make sure to adjust the machine so that the engine is level during checking. See engine manufacturers' instruction manual.
6. **CONNECT** spark plug wire.





OPERATION

NOTE: Items in () can be referenced in the Parts Illustrations and Parts Lists on pages 11-22.

FOLDING HANDLE

This unit is equipped with a folding upper handle for easier storage and transportation. The handle can be folded by sliding the handle lock loops (item 35) up. This releases the upper handle, allowing it to be folded over the unit.

ADJUSTING BLADE DEPTH

The depth of the blades can be raised or lowered by rotating the knob located at the rear of the machine. The relative depth of the blades can be gauged by using the depth scale located on the rear of the machine and the bar next to it. (See *Fig. 1*)

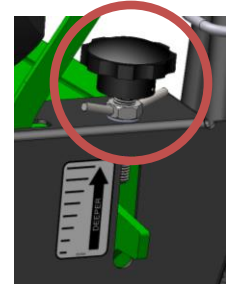


Fig. 1

BLADE POSITION & DEPTH CONTROL LEVER

The blades can be raised or lowered into the ground by the height adjustment foot pedal at the rear of the unit. The blades will be in lowered position when the foot pedal is unlocked from the bracket and will be in transport position when the pedal is locked to the bracket. See *Fig. 2 & 3* for operation. The resulting blade depth can be adjusted higher or lower.

Pressing on the outside tabs of the pedal will allow it to unlock from the bracket and lower into position. (See *Fig. 2*)

Pressing on the center of the pedal and pushing it into the bracket will allow it to be locked in transport position. (See *Fig. 3*)

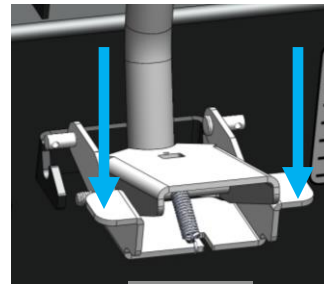


Fig. 2

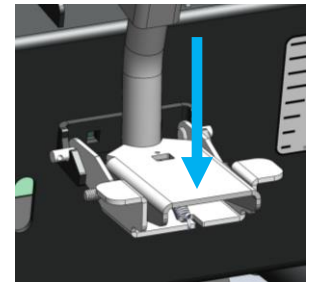


Fig. 3

VERTI-CUTTING OPERATION

SET DEPTH: With engine off, set the raking depth so that the blades just touch on a flat surface (i.e. driveway, or sidewalk).

ENGAGE BLADES: Push the Reel Lever down on the operator handle (upper left side). *NOTE:* When engaging the blades in heavy load conditions (i.e. heavy thatch, or very uneven turf), push down on the operator handle lifting the front wheels slightly. Engage the blades. Slowly lower the unit into the turf.

SLICE: Verti-cut a small test area and examine the results. Some thatch and cut stems should be removed and deposited on top of the healthy grass. Grass runners should be cut and ready for removal. If excessive damage occurs to healthy grass, adjust the blade depth to decrease damage. Continue raking the yard, working in one direction (i.e. north-south, or east-west). *NOTE:* If a large drop in engine RPM occurs, or bounces during operation, the blade depth is set too low.

REMOVE THATCH/STEMS: After verti-cutting, a layer of thatch and cut stems will be deposited over the top of the lawn. We suggest the use of a lawn vacuum or wheeled blower for collection and removal of the thatch/stems.

OVERSEEDING OPERATION

DRY: Be sure grass is dry. Wet conditions can cause increased damage to healthy grass.

SEED: Spread grass seed according to the seed suppliers directions (e.g. 10 lbs. per 1000 ft² [4.5 kg. per 93 m²]). Adjustments to the seed drop is located on the front of the unit on the seed dial and should be used in conjunction with the seed chart on the console.

SET DEPTH: With engine off, set the raking depth so that the blades reach 1/4"-1/2" (6-12 mm) below a flat surface (i.e. driveway, or sidewalk).

ENGAGE REEL AND SEED DROP: Push down on the reel lever on the operators handle. *NOTE:* When engaging the reel in heavy load conditions (i.e. heavy thatch, or very uneven turf), push down on the operators handle lifting the front wheels slightly. Engage the reel. Slowly lower the unit into the turf.

SLICE: Run machine over the area that has been seeded to incorporate the seed into the soil. If excessive damage occurs to healthy grass, adjust the blade depth to decrease damage. Continue raking the yard, working in one direction (i.e. north-south, or east-west). *NOTE:* If a large drop in engine RPM occurs, or bounces during operation, the blade depth is set too low.

WATER/FERTILIZE: After the seed has been worked into the soil, water and fertilize according to the seed supplier's directions.



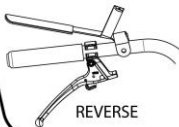
ADJUSTING SEED RATE

To set the seed flow rate, loosen the knob on the indicator dial and turn it to the corresponding stop setting on the seed application chart (below or on the console) for the type and amount of seed being used. (See Fig. 4)

LAWN PREPARATION:

- MOW LAWN TO LOWEST SETTING ON YOUR MOWER.
- DO NOT WATER PRIOR TO SEEDING.
- POWER RAKE TO DETATCH LAWN AND REMOVE THATCH.

REEL DRIVE/SEED DROP




REVERSE

SEED APPLICATION CHART

SEEDING RATES ARE SPEED DEPENDENT. THESE SEED RATES ARE BASED ON A GROUND SPEED OF 3.8 MPH. FASTER TRAVEL DELIVERS LESS SEED.

SEED TYPE	RATE LBS. PER ACRE	STOP SETTING	SEED TYPE	RATE LBS. PER ACRE	STOP SETTING
RYE GRASS	2 1/2	4	BENTON GRASS	1 1/2	1
8	4.5		3 1/2	1.5	
2 1/2	5		BERMUDA GRASS	2 1/2	1
10	5.5		SHALLOA SPOON	4	1.5
BLUE GRASS	1 1/2	2	CENTIPEDIA GRASS	3 1/2	4.5
1 1/2	2.5		(COATED)	1 1/4	1
4	3		2 1/2	1.5	
6	3.5		ST. AUGUSTINE	3 1/2	1.5
FESCUE	3 1/2	4	GRASS	1	2
5	4.5		1 1/2	2.5	
10	5		1 1/2	3	
12	6				


LOOK FOR THE WIDE ORANGE SET THE DIAL INDICATOR TO THE DESIRED STOP SETTING THEN TURN THE REEL TO SET POSITION.



FORWARD

SEEDING RECOMMENDATIONS:

- FOR BEST RESULTS OVERSEED IN TWO PASSES OF ONE-HALF APPLICATION RATE AT RIGHT ANGLES OR IN A CROSS-CROSS PATTERN.
- WATER HEAVILY IMMEDIATELY THEN LIGHTLY FOR 10 - 14 DAYS KEEPING SOIL MOIST.
- AFTER COMBINATION, WATER LESS OFTEN TO PROMOTE GROWTH.



INSTRUCTION LABEL P/N 351501

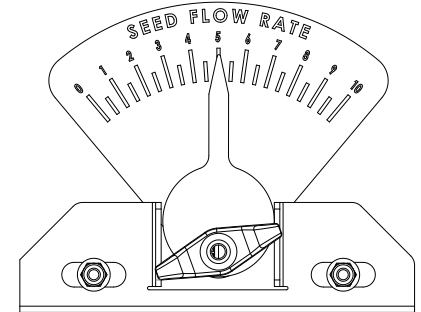


Fig. 4

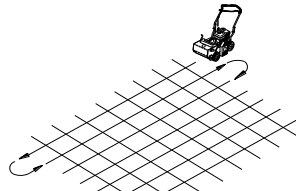


Fig. 5

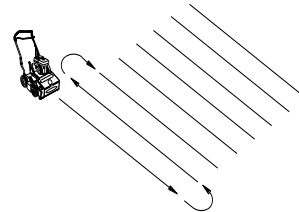


Fig. 6

*****TIPS*****

Before beginning, it is best to evaluate the condition of the lawn by cutting one or more core samples from area to be treated. A core can be cut using a piece of PVC, or metal pipe. Hammer the pipe into the ground, remove it, push the core out of the pipe and inspect it to determine the depth of thatch in your yard.

MOW

Mow the lawn to its normal cut height. Be sure grass is dry. Wet conditions can cause increased damage to healthy grass.

INSPECT

Check the lawn before beginning work. Remove all rocks, wire, string, or other objects that can present a hazard during work.

IDENTIFY

Mark all fixed objects to be avoided during work, such as sprinkler heads, water valves, buried cables, or clothes line anchors, etc.

THATCH

Thatch is a dense layer of dead grass, clippings, and roots that builds up over time at the base of the lawn preventing air, water, and fertilizer from reaching the soil. This can cause shallow root development and make a lawn more susceptible to drought and disease. Thatch also provides an ideal environment for insects to hide and multiply. Periodic removal of thatch will keep your lawn in good health.

HEAVY THATCH

Lawns with an excessive amount of thatch will require multiple treatments for effective removal. Trying to remove excessive thatch (greater than 3/4" [19 mm] deep) in one treatment will damage or destroy the living part of the lawn. It is best to remove heavy thatch in seasonal treatments (i.e. spring, and fall).

SLOPES

Rake slopes across not up and down the slope. This is much easier and safer for the operator and is better for the lawn. Raking across will help to reduce runoff during watering and allow the sloped ground to hold more seed, fertilizer, and water. The unit's maximum operating slope is 35% or 19°.

DEPTH

The wide range of depth adjustment on your unit is provided to allow for blade wear. Setting the reel deeper will not produce better results. The flail reel is intended to be set so it just touches the surface on flat ground. The slicing reel should be set even with the ground for verti-slicing work, and set to a maximum 1/2" depth for overseeding. Setting the reel deeper will only result in premature wear on the unit (i.e. failed belt). If you desire to work the ground deeper than the above guidelines, it should be done gradually in multiple passes.

SLICING / OVERSEEDING: Mow the lawn to shorter than the normal cut height before starting (i.e. approximately 2" tall for fescue grass). For the best result, slice/overseed in criss-cross pattern (See Fig. 5 & 6).



MAINTENANCE

NOTE: Items in () can be referenced in the Parts Illustrations and Parts Lists on pages 11-22.

PERIODIC MAINTENANCE

Periodic maintenance should be performed at the following intervals:

Maintenance Operation	Every Use (daily)	Every 25 Hours
Inspect for loose, worn or damaged parts		●
Check engine oil	●	
Inspect belts		●
Engine (See Engine Manual)		
Grease bearings		●
Inspect and clean engine air filter	●	
Oil height adjustment linkage		●

SLICING BLADE WEAR

1. Wait for engine to cool and disconnect spark plug.
2. Close fuel valve on engine (if available).
3. Lean unit back onto lower handles and secure in place.
4. Inspect blades for wear and immediately replace any deformed or cracked blades. Measure the overall diameter of the blade.
5. If blades are warped or the diameter of the blade is 6.75" (171 mm) in length, they must be replaced. *NOTE:* We recommend replacing all the blades at once.

ENGINE BELT REPLACEMENT

1. Wait for engine to cool and disconnect spark plug.
2. Place the rear of the unit on blocks.
3. Remove the right rear tire (item 11) and spring (item 155) attaching the housing to the frame.
4. Remove three screws (item 114) holding the belt guard (item 19) in place.
5. Remove the four screws (item 107) holding the mule drive assembly (item 60) in place.
6. Remove the belt (item 14) by rotating the mule drive pulley and walking it out of the groove, and remove the mule assembly leaving the belt on the transmission.
7. Remove the carriage bolt and nuts holding the right bearing on the jackshaft. Do not remove the bearing and pulley.
8. Remove the belt guard (item 58) by removing the three screws (item 114).
9. Walk the belt off of the crankshaft pulley, and then slide it down the jackshaft to the bearing hole. This will allow the belt to be slid around the mule pulley.
10. Replace the belt by feeding it into the hole and around the pulley where the old one was removed. Make sure it is seated in the jackshaft pulley and then walk it onto the crankshaft pulley making sure it is inside the belt fingers.
11. Reattach the bearing and tighten the hardware securely.
12. Reattach the mule drive and belt, making sure that the belt is seated properly in the transmission pulley and the mule drive assembly.
13. Check the idler tension on the belt when the drive lever is engaged, if it is too loose, the spring (item 82) holding the idler arm will need to be replaced.
14. Reattach the guards, tire, spring and spark plug and make sure of proper operation.



OSSP Owner's Manual

MULE BELT REPLACEMENT

1. Wait for engine to cool and disconnect spark plug.
2. Place the rear of the unit on blocks.
3. Remove the right rear tire (item 11) and spring (item 155) attaching the housing to the frame.
4. Remove (3) screws (item 114) holding the belt guard (item 19) in place.
5. Remove the four screws (item 107) holding the mule drive assembly (item 60) in place. This will allow access to the belt.
6. Remove the belt (item 14) by rotating the mule drive pulley and walking it out of the groove, and then sliding it off of the transmission. Discard old belt.
7. Install new belt using same procedure to walk the belt into the groove, making sure it is seated fully in all pulleys. Reattach the mule drive assembly.
8. With new belt installed, pull the drive levers up and make sure the idler pulley puts tension on the cable. The proper adjustment should have the drive lever fully engaged and the belt should be snug on the pulleys.
9. Re-install the belt guard, spring, and tire, then reattach the spark plug.

REEL BELT REPLACEMENT

1. Wait for engine to cool and disconnect spark plug.
2. Remove two screws (item 38) holding the belt guard (item 20) in place
3. Remove the belt (item 17) by rotating the reel pulley (item 16) and walking it out of the groove. Discard old belt.
4. Install new belt using same procedure to walk the belt into the groove, making sure that it is inside the belt fingers.
5. With new belt installed, push the reel drive lever down and make sure the idler pulley puts tension on the cable. The proper adjustment should have the blade lever fully engaged and the belt should be snug on the pulleys.
6. Re-install the belt guard and reattach the spark plug.

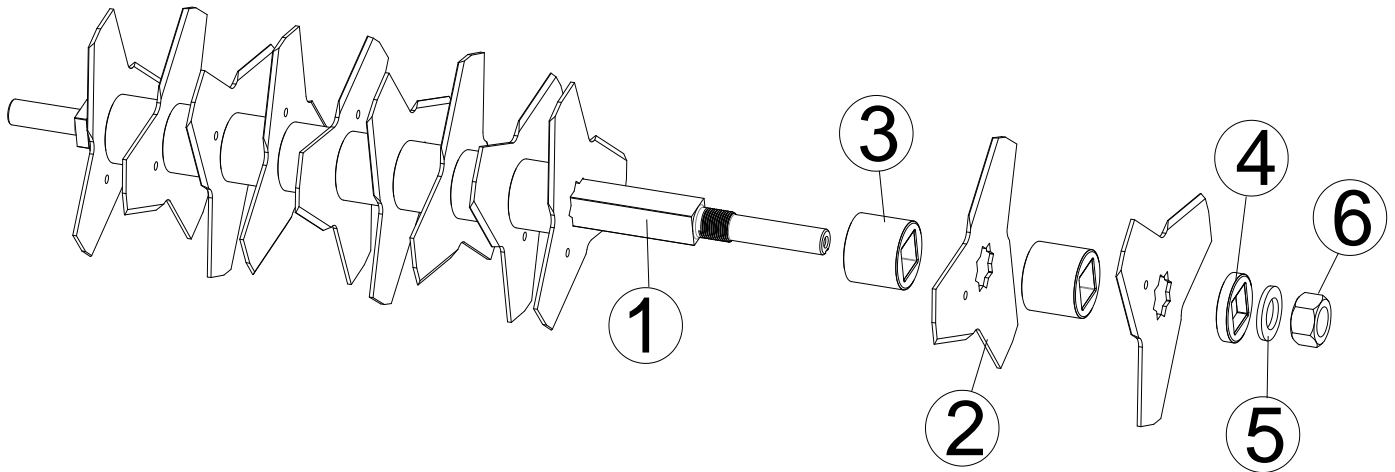
TROUBLESHOOTING

Problem	Possible Cause	Solution
Abnormal vibration	Damaged or missing blades. Loose handle bolts. Loose engine bolts.	Stop work immediately. Replace any damaged or missing blades. Tighten all loose nuts and bolts.
Engine stalls or labors when raking	Blades set too deep into ground.	Raise blades so that they just touch the ground on a level surface.
Engine will not start	Stop switch off (Honda only). Throttle in off position. Out of gasoline or bad, old gasoline. Spark Plug wire disconnected. Gas valve off. Dirty air cleaner.	Check choke position. Check gasoline. Connect spark plug wire. Turn on gas valve. Clean or replace air cleaner. Contact a qualified service person.
Engine is locked, will not pull over	Debris locked against reel, or drive pulleys. Engine problem.	Pull spark plug wire and remove debris. Contact an engine servicing dealer for engine problems.

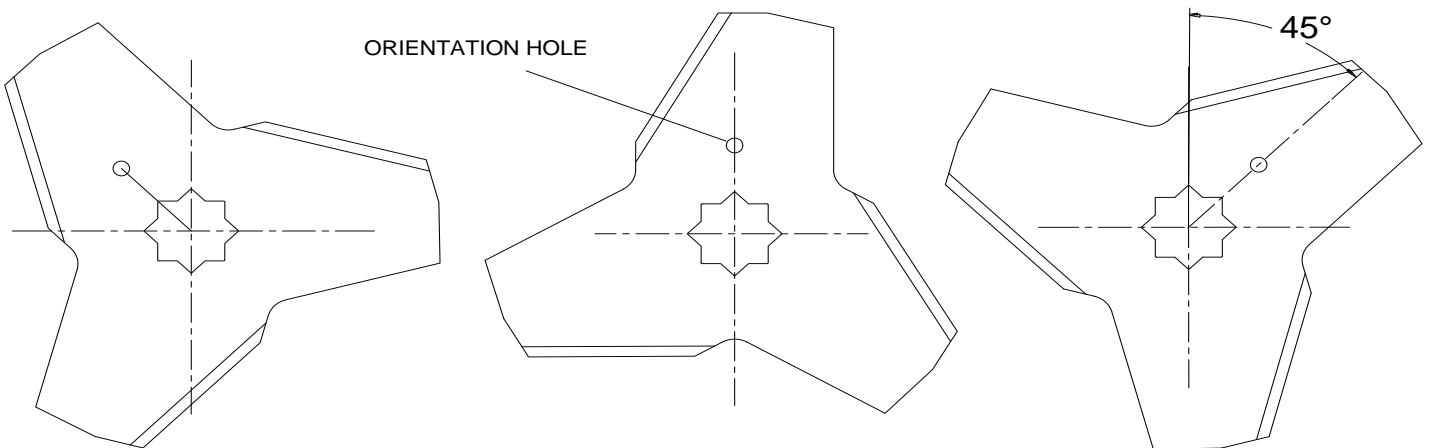


SLICING REEL ASSY

P/N 351603



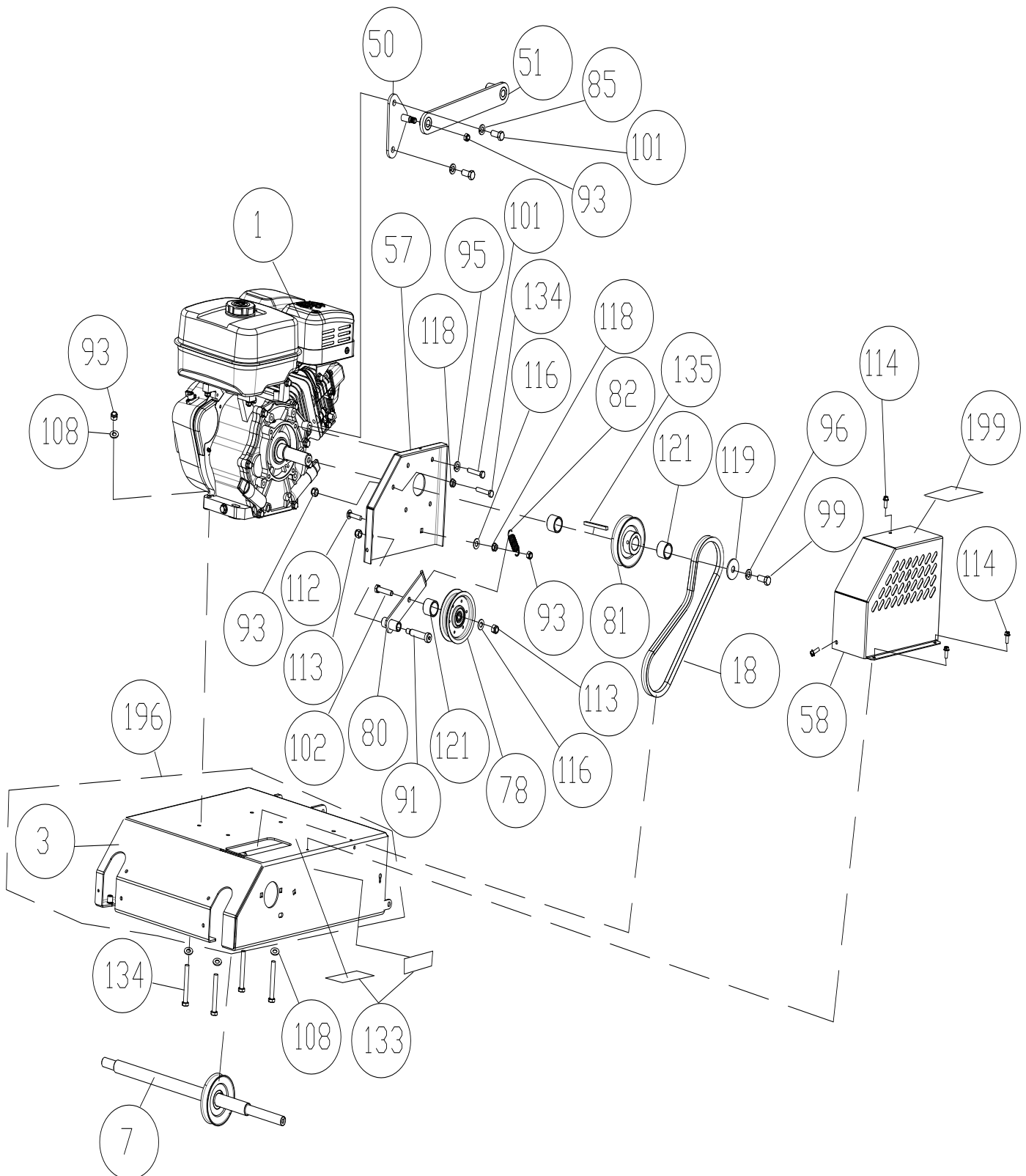
ITEM NO	DESCRIPTION	PART NO.	QTY
1	SHAFT VERTICUTTING REEL OS900SP	351111	1
2	BLADE VERTICUT OS900SP	351305	11
3	SPACER PM REEL OS900SP	351261	10
4	SPACER HARDENED REEL OS900SP	351297	1
5	SPRING DISC 7/8" ID	351298	1
6	NUT 7/8"-14 NC	350341	1



EACH BLADE SHOULD BE ROTATED CLOCKWISE 45 DEGREES. USE THE HOLE IN THE BLADE TO SET ORIENTATION.



OSSP ENGINE ASSEMBLY PARTS DRAWING





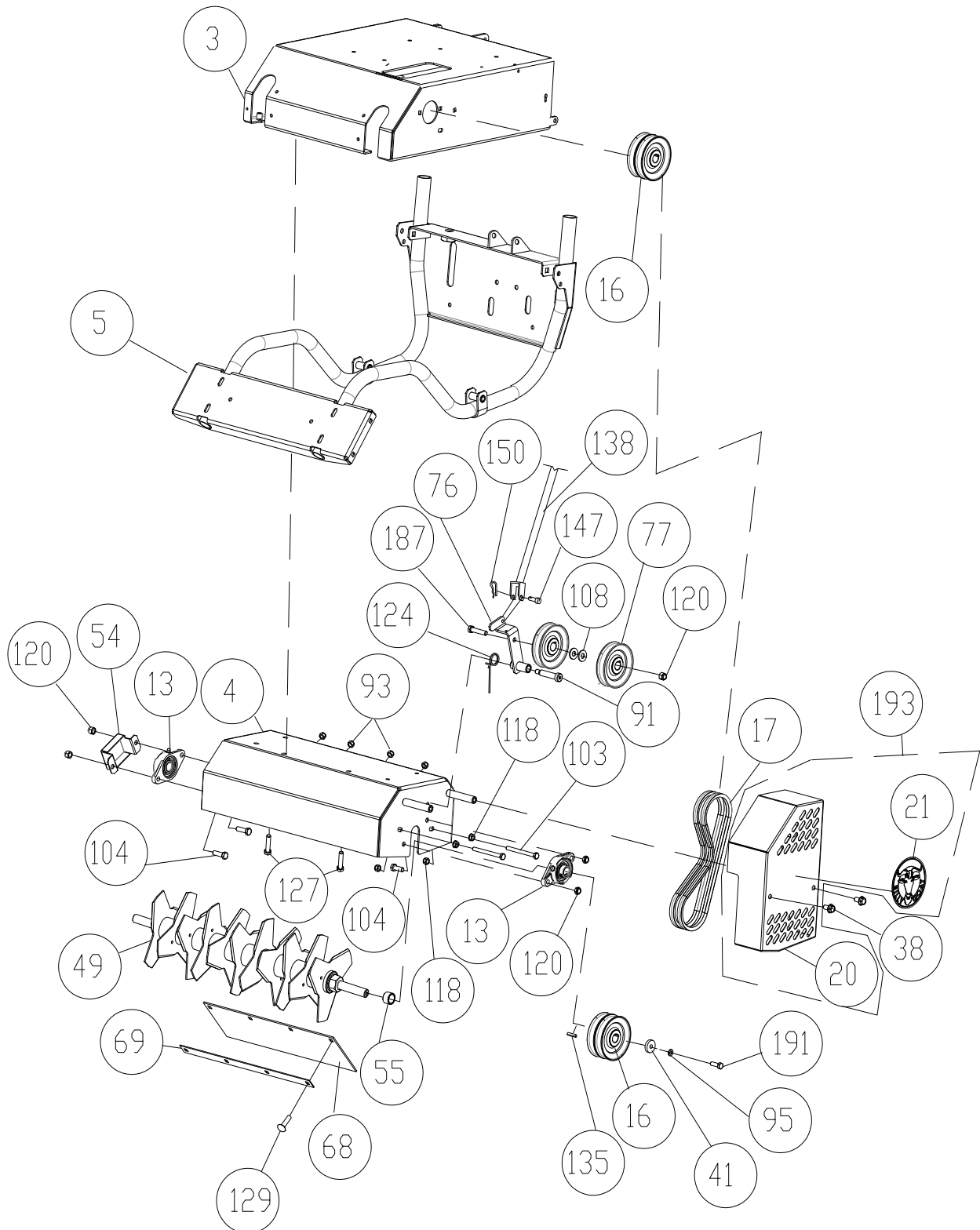
OSSP Owner's Manual

OSSP ENGINE ASSEMBLY PARTS LIST

ITEM NO.	DESCRIPTION	OS901SPH		OS901SPS	
		PART NO.	QTY	PART NO.	QTY
1	ENGINE HONDA 9HP	430287	1	-	-
	ENGINE SUBARU 9HP	-	-	351299	1
3	ENGINE BASE WA	351125	1	351125	1
7	JACKSHAFT WA	351107	1	351107	1
18	BELT GATES #8954-0298	351211	1	351211	1
50	ENGINE BRACKET WA	351121	1	351121	1
51	LINKAGE FOOT CONTROL WA	351122	1	351122	1
57	BRACKET GUARD BELT UPPER	351203	1	351203	1
58	GUARD BELT UPPER OS900SP	351116	1	351116	1
78	PULLEY IDLER 4" OD X 3/8 BORE	500113	1	500113	1
80	ARM IDLER WA UPPER	351113	1	351113	1
81	PULLEY 3.50" OD X 1.00" BORE	351296	1	351296	1
82	SPRING IDLER UPPER	351275	1	351275	1
91	BOLT SHOULDER 1/2" X 2"	520031	1	520031	1
93	NUT LOCK 5/16"-18	8160002	7	8160002	7
95	WASHER SPLIT LOCK	8177011	6	8177011	6
96	WASHER LOCK 7/16' S/T MED	8177013	1	8177013	1
99	SCREWCAP 7/16"-20 X 1" HCS GR. 8 W/PATCH	510213	1	510213	1
101	SCREWCAP 5/16"-24 X 1" GR 8 W/PATCH	400164	6	400164	6
102	SCREWCAP 3/8"-16 X 1 3/4" HCS ZP	8041053	1	8041053	1
108	WASHER 5/16 FLAT	8171003	8	8171003	8
112	BOLT CARRIAGE 5/16"-18 X 1 1/2" ZP	8024042	1	8024042	1
113	LOCK NUT 3/8-16	8160003	2	8160003	2
114	SCREW SELF TAP 1/4"-20 X 5/8" HWH TYPE F	890359	3	890359	3
116	WASHER 3/8" SAE	8172009	2	8172009	2
118	NUT FLANGE 5/16-18 ZP	350346	2	350346	2
119	PLATE IMPELLER WASHER PB110	850443	1	850443	1
121	SPACER 1.25 OD X 1.010 ID X .938 THK	351413	2	351413	2
133	LABEL DANGER	900327	2	900327	2
134	SCREWCAP 5/16"-18 X 1 3/4" HCS ZP	8041031	5	8041031	5
135	KEY SQ 1/4" X 1"	9201113	1	9201113	1
196	ENGINE BASE WA OS900SP W/LABELS	351612	1	351612	1
199	LABEL MADE IN U.S.A.	520116	1	520116	1



OSSP REEL/REEL DRIVE ASSEMBLY PARTS DRAWING





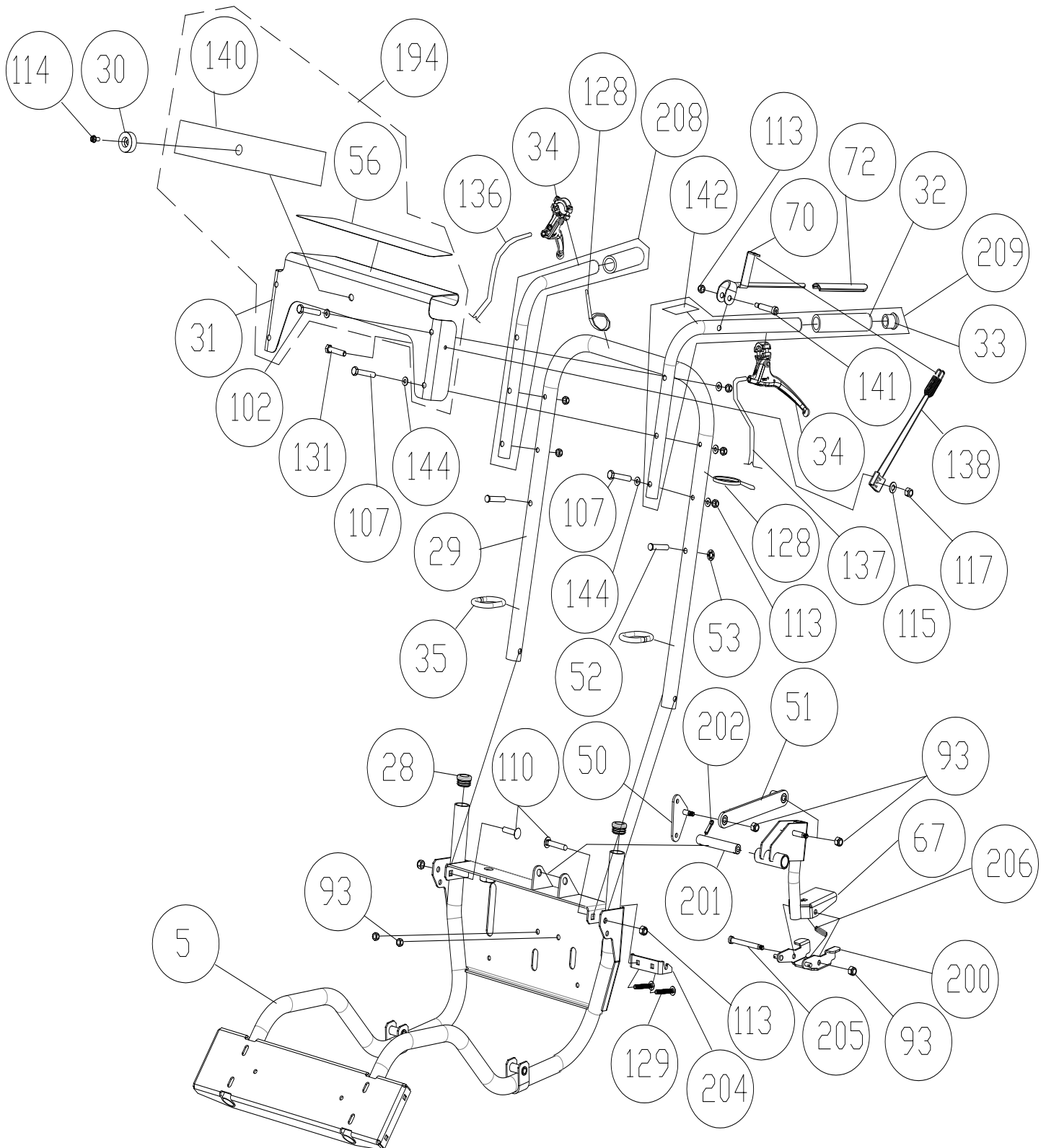
OSSP Owner's Manual

OSSP REEL/REEL DRIVE ASSEMBLY PARTS LIST

ITEM NO.	DESCRIPTION	OS901SPH		OS901SPS	
		PART NO.	QTY	PART NO.	QTY
3	ENGINE BASE WA	351125	1	351125	1
4	HOUSING VERTICUTTER WA OS900SP	351101	1	351101	1
5	FRAME SUPPORT OS900SP WA	351126	1	351126	1
13	BEARING 3/4" CAST FLANGE W/ZERK	350209	2	350209	2
16	PULLEY 0.75" ID X 4" 4L SECTION	351210	2	351210	2
17	BELT 4L	351213	2	351213	2
20	GUARD REEL BELT OS900SP	351117	1	351117	1
21	LABEL DECAL SM CIRCLE	890456	1	890456	1
38	SER HEX WASHER 3/8" - 16	791080	2	791080	2
41	WASHER 1.125 OD X .344 ID X 10 GA	441150	1	441150	1
49	REEL ASSY OS900SP	351012	1	351012	1
54	GUARD BEARING REEL OS900SP	351206	1	351206	1
55	SPACER SEED BOX AXLE OS900SP	351408	1	351408	1
68	DEFLECTOR RUBBER OS900SP	351269	1	351269	1
69	BAR CLAMP DEFLECTOR	351268	1	351268	1
76	ARM IDLER WA REEL ENGAGE	351112	1	351112	1
77	PULLEY	350114	2	350114	2
91	BOLT SHOULDER 1/2" X 2"	520031	1	520031	1
93	NUT LOCK 5/16"-18	8160002	4	8160002	4
95	WASHER SPLIT LOCK	8177011	1	8177011	1
103	SCREWCAP 5/16-18 X 3 1/2"	8041038	2	8041038	2
104	SCREWCAP 3/8"-16 X 1"	8041050	4	8041050	4
108	WASHER 5/16" FC	8171003	2	8171003	2
118	NUT FLANGE 5/16-18 ZP	350346	4	350346	4
120	NUT LOCK 3/8-16 LT WT THIN ZP	8161042	5	8161042	5
124	SPRING IDLER MULE DRIVE	351295	1	351295	1
127	SER HEX WASHER FLNG SCREW 5/16"-18 X 3/4"	351264	6	351264	6
129	BOLT CARRIAGE 5/16"-18 X 3/4" ZP	8024039	4	8024039	4
135	KEY 3/16" SQ X 1 1/4"	9201080	1	9201080	1
138	CABLE CLUTCH SEEDING CONTROL	351221	1	351221	1
147	PIN CLEVIS 1/4" X .50"	440124	1	440124	1
150	PIN CLIP HITCH 0.051" X 3/4"	440193	1	440193	1
187	SCREWCAP 3/8"-16 X 2 1/2" ZP	8041056	1	8041056	1
191	SCREWCAP 5/16"-24 X 1" GR.8 ZP W/PATCH	400164	1	400164	1
193	GUARD REEL BELT OS900SP W/LABELS	351607	1	351607	1



OSSP HANDLE ASSEMBLY PARTS DRAWING





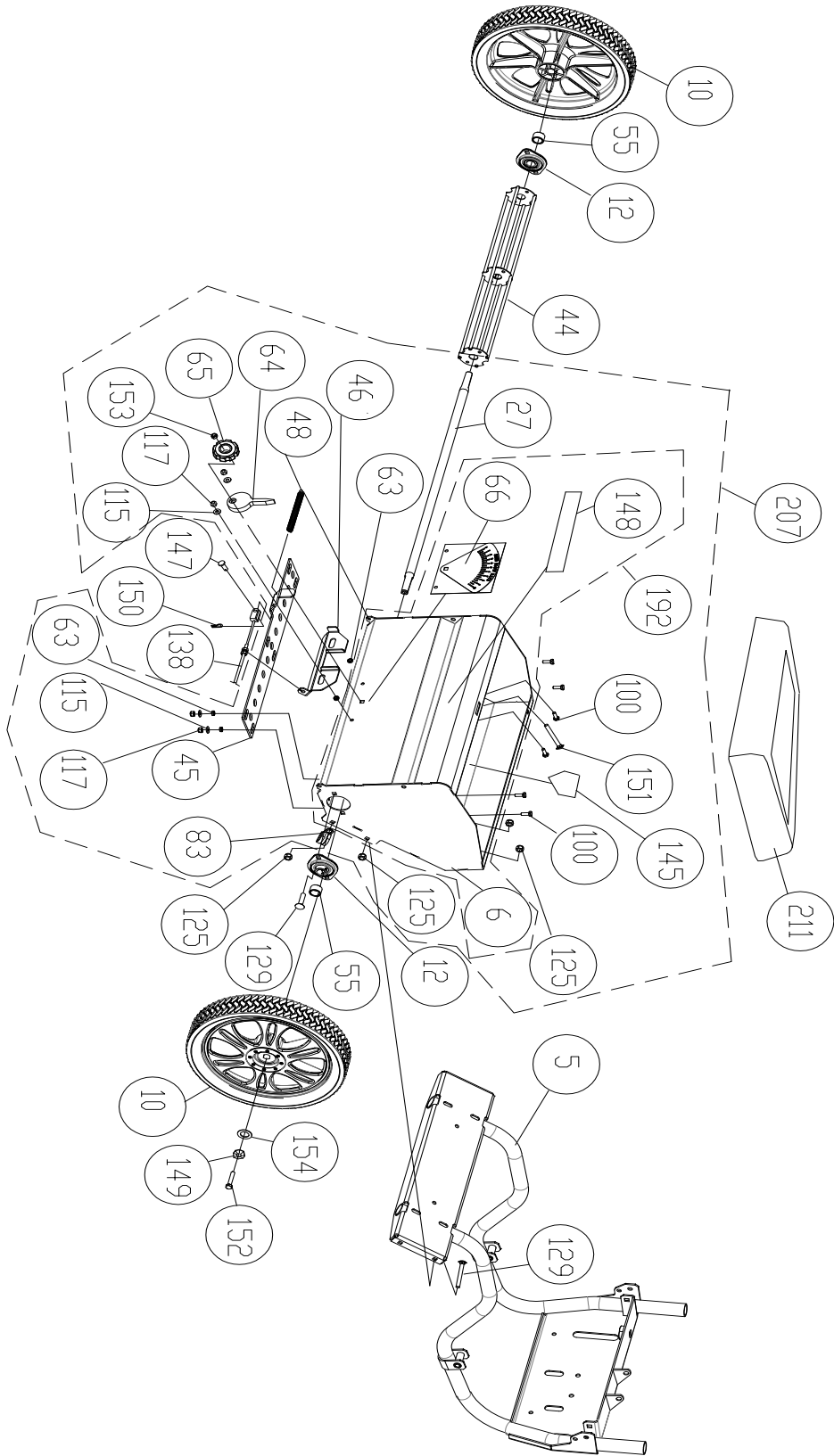
OSSP Owner's Manual

OSSP HANDLE ASSEMBLY PARTS LIST

ITEM NO.	DESCRIPTION	OS901SPH		OS901SPS	
		PART NO.	QTY	PART NO.	QTY
5	FRAME SUPPORT OS900SP WA	351126	1	351126	1
28	PLUG TUBE INSERT 1.25 OD	791056	2	791056	2
29	HANDLE FOLDING OS900SP	351406	1	351406	1
30	BUMPER RECESS	360298	1	360298	1
31	BRACKET CONSOLE OS900SP	351208	1	351208	1
32	GRIP HANDLE	500267	2	500267	2
33	PLUG TUBE INSERT 1" OD	890132	2	890132	2
34	CONTROL MAGURA OS900SP	351209	2	351209	2
35	LOOP FOLDING HANDLE	351231	2	351231	2
50	ENGINE BRACKET WA	351121	1	351121	1
51	LINKAGE FOOT CONTROL WA	351122	1	351122	1
52	PIN CLEVIS 3/8 X 2.125	520120	2	520120	2
53	RETAINER 3/8" BOLT PUSH NUT	360279	2	360279	2
56	LABEL INSTRUCTION OS900SP	351501	1	351501	1
67	PEDAL SERVICE KIT	351615	1	351615	1
70	LEVER CLUTCH/SEED DROP	351212	1	351212	1
72	GRIP LEVER 0.125" X 1" X 5" ORANGE	500379	1	500379	1
93	NUT LOCK 5/16"-18	8160002	5	8160002	5
102	SCREWCAP 3/8"-16 X 1 3/4" HCS ZP	8041053	2	8041053	2
107	SCREWCAP 3/8"-16 X 3" HCS ZP	8041058	4	8041058	4
110	BOLT CARRIAGE 3/8"-16 X 2" ZP	8024062	2	8024062	2
113	LOCK NUT 3/8-16	8160003	9	8160003	9
114	SCREW SELF TAP 1/4"-20 X 5/8" HWH TYPE F	890359	1	890359	1
115	WASHER 1/4" SAE	8172007	1	8172007	1
117	LOCK NUT 1/4-20	8160001	1	8160001	1
128	TY WRAP	900407	2	900407	2
129	BOLT CARRIAGE 5/16"-18 X 3/4" ZP	8024039	2	8024039	2
131	SCREWCAP 1/4"-20 X 1" HCS ZP	8041006	1	8041006	1
136	CABLE SPEED CONTROL RT	351219-S	1	351219	1
137	CABLE SPEED CONTROL LFT	351271-S	1	351271	1
138	CABLE CLUTCH SEEDING CONTROL	351221	1	351221	1
140	LABEL LOGO OS900SP	351500	1	351500	1
141	BOLT SHOULDER 3/8" X 1 1/4"	360284	1	360284	1
142	LABEL CLUTCH BLADE	500177	1	500177	1
144	WASHER 3/8 FC	8171004	12	8171004	12
194	BRACKET CONSOLE OS900SP W/LABELS	351605	1	351605	1
200	RELEASE PEDAL WA	351124	1	351124	1
201	SHAFT INNER PIVOT	351421	1	351421	1
202	PIN COTTER 1/8" X 1" ZP	8197031	2	8197031	2
204	BRACKET PIN CATCH	351321	1	351321	1
205	BOLT SHOULDER 3/8" DIA X 3.25 LG BLK OX	351316	1	351316	1
206	SPRING PEDAL RELEASE	351309	1	351309	1
208	HANDLE W/GRIP RIGHT OSSP SERVICE	351618	1	351618	1
209	HANDLE W/GRIP LABEL LEFT OSSP SERVICE	351619	1	351619	1



OSSP SEED BOX ASSEMBLY PARTS DRAWING





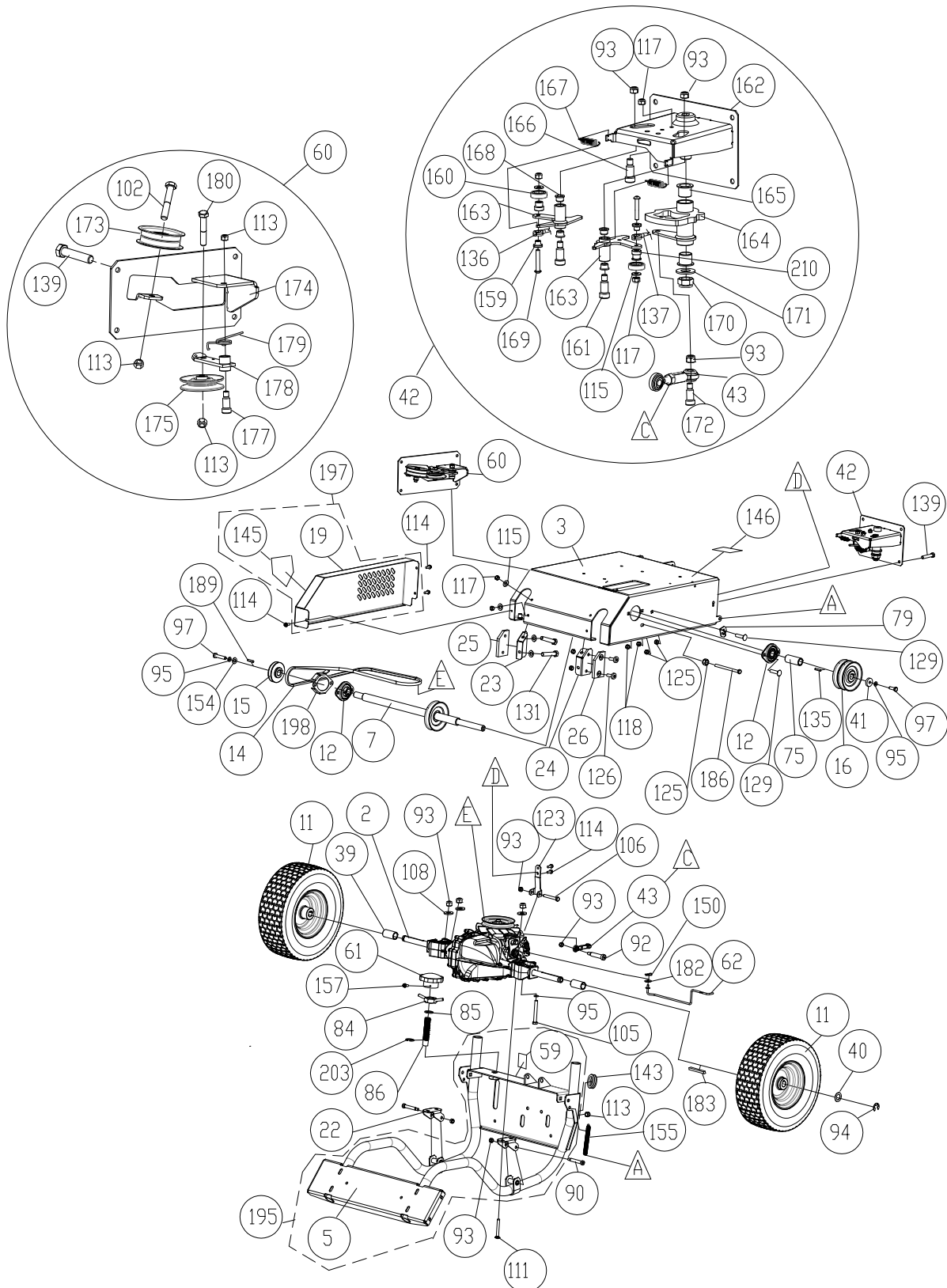
OSSP Owner's Manual

OSSP SEED BOX ASSEMBLY PARTS LIST

ITEM NO.	DESCRIPTION	OS901SPH		OS901SPS	
		PART NO.	QTY	PART NO.	QTY
5	FRAME SUPPORT OS900SP WA	351126	1	351126	1
6	SEED BOX WA	351103	1	351103	1
10	FRONT WHEEL 14" ASSY	351013	2	351013	2
12	BEARING & FLANGETTE ASSY	850232	4	850232	4
27	AXLE SEED BOX	351223	1	351223	1
44	WHEEL PADDLE SEED WA	351105	1	351105	1
45	PLATE SEED CONTROL OS900SP	351220	1	351220	1
46	BRACKET CONTROL SEED RATE	351222	1	351222	1
48	SPRING EXTENSION .5 X 5.00	351303	1	351303	1
55	SPACER SEED BOX AXLE OS900SP	351408	2	351408	2
63	SPACER SEED PLATE OS900SP	351253	8	351253	8
64	DIAL SEED INDICATOR	351265	1	351265	1
65	KNOB 5/16"-18 X 5/8" FLUTED	400339	1	400339	1
66	LABEL SEED FLOW RATE	351503	1	351503	1
83	CLAMP ROUTING FUEL LINE	791070	1	791070	1
100	SCREW 1/4" - 20 X .75 HWH	8041004	8	8041004	8
115	WASHER 1/4" SAE	8172007	8	8172007	8
117	LOCK NUT 1/4-20	8160001	8	8160001	8
125	NUT 5/16"-18 SER HEX WASHER FLN	350346	8	350346	8
129	BOLT CARRIAGE 5/16"-18 X 3/4" ZP	8024039	8	8024039	8
138	CABLE CLUTCH SEEDING CONTROL	351221	1	351221	1
145	LABEL WARNING OPEI	400424	1	400424	1
147	PIN CLEVIS 1/4" X .61	350399	1	350399	1
148	LABEL BADGING OS900SP	351505	1	351505	1
149	WASHER LOCK 5/16" TWISTED TOO	430298	2	430298	2
150	PIN CLIP HITCH 0.051 X 3/4"	440193	1	440193	1
151	BOLT CARRIAGE 5/16"-18 X 1 1/4" ZP	8024041	1	8024041	1
152	SCREWCAP 5/16"-18 X 3/4" HCS ZP	8041026	2	8041026	2
153	NUT LOCK 5/16"-18 LT WT TH ZP	8161041	1	8161041	1
154	WASHER FENDER 5/16"	8172020	2	8172020	2
192	SEED BOX WAS OS900SP W/LABELS	351604	1	351604	1
207	SEED BOX SERVICE KIT	351616	1	351616	1
211	SEED BOX BONNET	351344	1	351344	1



OSSP TRANSMISSION ASSEMBLY PARTS DRAWING





OSSP Owner's Manual

OSSP TRANSMISSION ASSEMBLY PARTS LIST

ITEM NO.	DESCRIPTION	OS901SPH		OS901SPS	
		PART NO.	QTY	PART NO.	QTY
2	TRANSAXLE	351201	1	351201	1
3	ENGINE BASE WA	351125	1	351125	1
5	FRAME SUPPORT OS900SP WA	351126	1	351126	1
7	JACKSHAFT WA	351107	1	351107	1
11	REAR WHEEL 13" X 5" PNEU ASSY	351202	2	351202	2
12	BEARING & FLANGETTE ASSY	850232	4	850232	4
14	BELT 3L550 TRUFLEX	351327	1	351327	1
15	PULLEY 0.75" ID X 3.50"	351325	1	351325	1
16	PULLEY 0.75" ID X 4" 4L SECTION	351210	1	351210	1
19	GUARD DRIVE BELT OS900SP	351118	1	351118	1
22	BRACKET FIXED FRONT FRAME	351226	2	351226	2
23	BRACKET RH WEAR PAD OS900SP	351227	1	351227	1
24	BRACKET LH WEAR PAD OS900SP	351228	1	351228	1
25	WEAR PAD RH OS900SP	351229	1	351229	1
26	WEAR PAD LH OS900SP	351230	1	351230	1
39	SPACER REAR WHEEL OS900SP	351409	2	351409	2
40	WASHER .765 ID X 1.25 OD X .06 THK	850238	2	850238	2
41	WASHER 1.125 OD X .344 ID X 10 GA	441150	1	441150	1
42	SPEED CONTROL ASSY	351011	1	351011	1
43	CONNECTOR SPEED CONTROL	351015	1	351015	1
59	LABEL DEPTH GAUGE OS900SP	351504	1	351504	1
60	MULE ASSY	351614	1	351614	1
61	KNOB HAND	850154	1	850154	1
62	ROD BYPASS ARM TRANSAXLE	351304	1	351304	1
75	SPACER PULLEY JACKSHAFT	351415	1	351415	1
79	BRACKET CLUTCH CABLE	351200	1	351200	1
84	LOCKNUT WA	800227	1	800227	1
85	WASHER .75"	800109	1	800109	1
86	ROD HEIGHT ADJUST SCREW	351311	1	351311	1
90	BOLT SHOULDER 3/8" X 2"	360153	2	360153	2
92	BOLT SHOULDER 3/8" X 1/2"	830528	1	830528	1
93	NUT LOCK 5/16"-18	8160002	10	8160002	10
94	RING RETAINING EXTERNAL 3/4"	850230	2	850230	2
95	WASHER SPLIT LOCK	8177011	6	8177011	6
97	SCREWCAP 5/16-24 X 1"	400164	2	400164	2
102	SCREWCAP 3/8"-16 X 1 3/4" HCS ZP	8041053	1	8041053	1
105	SCREWCAP 5/16"-18 X 3" HCS ZP	8041036	4	8041036	4
106	SCREWCAP 5/16"-18 X 2"	8041032	1	8041032	1
108	WASHER 5/16 FLAT	8171003	4	8171003	4
111	BOLT CARRIAGE 5/16"-18 X 2 3/4" ZP	8024047	4	8024047	4
113	LOCK NUT 3/8-16	8160003	4	8160003	4
114	SCREW SELF TAP 1/4"-20 X 5/8" HWH TYPE F	890359	5	890359	5
115	WASHER 1/4" SAE	8172007	10	8172007	10
116	WASHER 3/8" SAE	8172009	2	8172009	2
117	LOCK NUT 1/4-20	8160001	6	8160001	6
118	NUT FLANGE 5/16-18 ZP	350346	4	350346	4



OSSP Owner's Manual

OSSP TRANSMISSION ASSEMBLY PARTS LIST

ITEM NO.	DESCRIPTION	OS901SPH		OS901SPS	
		PART NO.	QTY	PART NO.	QTY
123	BRACKET TORQUE LIMITING	351294	1	351294	1
125	NUT 5/16"-18 SER HEX WASHER FLNG ZP	350346	7	350346	7
126	SCREW SPOT WELD 5/16"-18 X 3/4 W/PROJ	351263	4	351263	4
129	BOLT CARRIAGE 5/16"-18 X 3/4" ZP	8024039	5	8024039	5
131	SCREWCAP 1/4"-20 X 1" HCS ZP	8041006	4	8041006	4
135	KEY 3/16" SQ X 1 1/4"	9201080	1	9201080	1
136	CABLE SPEED CONTROL RT	351219	1	351219	1
137	CABLE SPEED CONTROL LFT	351271	1	351271	1
139	SCREWCAP 5/16" SER HEX WSHR FLNG GR. 5 ZP	351264	8	351264	8
143	GROMMET 1.25" HOLE	520092	1	520092	1
146	LABEL DRIVE RELEASE OS900SP	351507	1	351507	1
150	PIN CLIP HITCH 0.051 X 3/4"	440193	1	440193	1
153	NUT LOCK 5/16"-18 LT WT TH ZP	8161041	1	8161041	1
154	WASHER FENDER 5/16"	8172020	1	8172020	1
155	SPRING LIFT ASSIST OS900SP	351254	2	351254	2
157	SCREW MACH #10-24 X 2" HWF ZP	8059143	1	8059143	1
159	SPACER EYELET SPEED CONTROL PM	351348	2	351348	2
160	BEARING 1/2" ID X 1.125 OD	351257	2	351257	2
161	BOLT SHOULDER 3/8" X 1 3/4"	351258	2	351258	2
162	BRACKET SPEED CONTROL WA OS900SP	351108	1	351108	1
163	BELLCRANK SPEED CONTROL WA OS900SP	351109	2	351109	2
164	CAM SPEED CONTROL WA	351110	1	351110	1
165	BUSHING PIVOT FRAME AE	360183	2	360183	2
166	BOLT SHOULDER 5/16" X 1 1/2"	500340	1	500340	1
167	SPRING EXTENSION	800242	2	800242	2
168	BUSHING 3/8" ID X 1/2" OD X 3/8"	840078	4	840078	4
169	SCREWCAP 1/4"-20 X 1 3/4 SKT BUT HD	840199	2	840199	2
170	NUT LOCK 5/8"-11 LT WT TH ZP	8161046	1	8161046	1
171	WASHER 5/8" SAE	8172013	1	8172013	1
172	SCREWCAP 5/16"-18 X 1" HCS ZP	8041028	2	8041028	2
173	PULLEY IDLER 2.75" OD X 3/8" BORE	350114	1	350114	1
174	BRACKET DRIVE BELT WA OS900SP	351104	1	351104	1
175	PULLEY 3V GROOVE IDLER	351216	1	351216	1
177	BOLT SHOULDER 1/2" X 2"	520031	1	520031	1
178	ARM IDLER MULE DRIVE WA OS900SP	351120	1	351120	1
179	SPRING IDLER MULE DRIVE OS900SP	351302	1	351302	1
180	SCREWCAP 3/8"-16 X 1 1/2" HCS ZP	8041052	1	8041052	1
182	WASHER #10 SAE	8172005	1	8172005	1
183	KEY 3/16" SQ X 2 1/8"	9201087	2	9201087	2
186	SCREWCAP 5/16"-18 X 5" HCS ZP	8041042	1	8041042	1
189	KEY 3/16" SQ X 5/8"	9201072	1	9201072	1
195	FRAME SUPPORT OS900SP WA W/LABELS	351613	1	351613	1
197	DRIVE BELT GUARD WA W/LABELS	351609	1	351609	1
198	BRACKET BELT GUIDE OS900SP	351326	1	351326	1
203	RING SNAP TRUARC	850233	1	850233	1
210	SPACER STEPPED SPEED CONTROL PM	351347	2	351347	2



OSSP Owner's Manual



en	English	fi	Suomi	lv	Latviešu	ru	Русский
bg	Български език	fr	Français	nl	Nederlands	sl	Slovenščina
cs	Čeština	el	Ελληνικά	no	Norsk	sk	Slovák
da	Dansk	hr	Hrvatski	pl	Polski	sv	Svenska
de	Deutsch	hu	Magyar	pt	Português	tr	Türkçe
es	Español	it	Italiano	ro	Română		
et	eesti keel	lt	Lietuvių				

en	EC Declaration of Conformity	el	Δήλωση συμμόρφωσης ΕΚ	pl	Deklaracja zgodności UE
bg	Декларация за съответствие с европейските стандарти	hu	EU Megfelelőségi nyilatkozat	pt	Declaração de Conformidade à CE
cs	ES Prohlášení o shodě	hr	EC Deklaracija o sukladnosti	ro	Declarație de conformitate C.E.
da	EC Overensstemmelseserklæring	it	Dichiarazione di conformità CE	ru	Заявление о соответствии стандартам и нормам ЕС
de	EG-Konformitätserklärung	lv	EB atitiktības deklarācija	sl	ES izjava o skladnosti
es	Declaración de Conformidad de la CE	nl	E.C. Conformiteitsverklaring	sk	Vyhlasenie o zhode
et	Eü vastavustunnistus	no	CE konformitetserklæring	sv	EG-försäkran om överensstämmelse
fi	EC-vaatimustenmukaisuusvakuutus			tr	EC Uygunluk Deklarasyonu
fr	Déclaration de conformité CE				

en	Category Overseeder	fr	Catégorie semoir	pl	Kategoria Siewnik
bg	Категория Сеялка	el	Κατηγορία σπαστική μηχανή	pt	Categoria Semeador
cs	Kategorie sečí stroje	hu	Kategória Vetőgépek	ro	Categorie Seeder
da	Kategori Seeder	hr	Kategorija SIJAJICE	ru	Категория Сеялка
de	Kategorie Einzelkornsämaschinen	it	Categoria Seminatrice	sl	Kategorija Seeder
es	Categoría Sembradora	lv	Kategorija Sējamoji	sk	Kategória sejačky
et	Katagooria Seeder	nl	Categorie Zaaimachine	sv	Kategori Seeder
fi	Kategoria Kylvökone	no	Kategori sãmaskin	tr	Kategori Mibzeri

en	This is to certify that the products listed in this document meet the requirements of the European Community Law, and can carry the CE mark. These models comply with the following Directives and related Standards.
bg	Декларацията се издава в удостоверение на това, че изброените продукти съответстват на стандартите на правните норми на Европейския съюз и могат да носят знака CE. Моделите изпълняват директивите и техните стандарти, както следва.
cs	Tímto stvrzujeme, že výrobky uvedené v tomto dokladu splňují požadavky zákonů Evropského společenství a mohou být označeny značkou CE. Tyto modely splňují následující směrnice a související normy.
da	Det bekræftes hermed, at de produkter, der er nævnt i dette dokument, opfylder bestemmelserne i EU-lovgivningen og kan bære CE-mærkatet. Disse modeller er i overensstemmelse med følgende direktiver og relaterede standarder:
de	Hiermit wird bescheinigt, dass die in diesem Dokument aufgeführten Produkte mit den gesetzlichen Bestimmungen der Europäischen Gemeinschaft übereinstimmen und das CE- Zeichen tragen können. Diese Modelle erfüllen die folgenden Richtlinien sowie weitere anzuwendende Normen.
es	La presente certifica que los productos enumerados en este documento cumplen con los requerimientos de la Legislación de la Comunidad Europea, y que pueden portar la marca CE. Estos modelos cumplen con las siguientes Directrices y Estándares relacionados:
et	Kinnitame, et eespool nimetatud tooted vastavad Euroopa Ühenduse seadusandluse nõuetele ja kannavad CE-märgistust. Eespool nimetatud mudelid vastavad järgmistele direktiividele ja seotud standardidele:
fi	Vakuutamme, että tässä asiakirjassa luetellut tuotteet täyttävät Euroopan Unionin lainsäädännön asettamat vaatimukset ja voi saada CE-merkinnän. Nämä mallit täyttävät seuraavien direktiivien ja niitä koskevien standardien vaatimukset:
fr	Nous déclarons par la présente que les produits mentionnés dans le document sont conformes à la législation de la Communauté européenne et peuvent porter le marquage CE. Ces modèles sont conformes aux directives suivantes et aux normes connexes :
el	Με την παρούσα δήλωση πιστοποιείται ότι τα προϊόντα που αναφέρονται στην παρούσα πληρούν τις απαιτήσεις της Ευρωπαϊκής Κοινοτικής Νομοθεσίας και μπορούν να φέρουν τη σήμανση CE. Τα μοντέλα αυτά συμμορφώνονται με τις ακόλουθες Οδηγίες και τα σχετικά Πρότυπα.
hu	Ez annak tanúsítására szolgál, hogy a dokumentumban felsorolt termékek megfelelnek az Európai közösségi jog követelményeinek és viselheti a CE jelzést. Ezek a modellek eleget tesznek a következő irányelveknek és vonatkozó szabványoknak.
hr	Ovo je potvrda da proizvodi koji su navedeni u ovom dokumentu odgovaraju zakonima europske zajednice i da nose CE oznaku. Ovi modeli zadovoljavaju sljedeće direktive i odgovarajuće standarde.
it	Si certifica che i prodotti elencati nel presente documento soddisfanno i requisiti della legislazione della Comunità Europea e possono recare il marchio CE. Questi modelli sono conformi alle seguenti norme e direttive:
lt	Šiuo patvirtiname kad šiame dokumente paminėti produktai atitinka Europos Bendrijos įstatymų reikalavimus ir jie gali būti pažymėti CE ženklu. Šie modeliai atitinka sekančias direktyvas ir standartus.
lv	Ar šo tiek apstiprināts, ka šajā dokumentā uzskaitītie izstrādājumi atbilst Eiropas Kopienas Likuma prasībām un var tikt marķēti ar emblēmu CE. Šie modeļi atbilst sekojošajām Direktīvām un attiecīgajām Normām.
nl	Hiermee wordt gecertificeerd dat de producten die in deze lijst staan opgesomd, voldoen aan de wettelijke voorschriften van de Europese Gemeenschap en mogen worden voorzien van de CE markering. Deze modellen voldoen aan de volgende richtlijnen en bijbehorende normen:
no	Dette sertifiserer at produktene som er nevnt i dette dokumentet oppfyller kravene som stilles av EU, og at de dermed kan CE-merkes. Disse modellene tilfredsstiller følgende direktiver og relaterte standarder:
pl	Niniejszym zaświadcza się, że produkty wymienione w niniejszym dokumencie spełniają wymogi Prawa Wspólnoty Europejskiej i mogą nosić oznakowanie CE. Modele te spełniają wymogi następujących dyrektyw i powiązanych norm.
pt	O presente documento certifica que os produtos listados neste documento atendem aos requisitos das Leis da Comunidade Europeia e podem levar a marca CE. Esses modelos estão de acordo com as seguintes diretivas e padrões relacionados.
ro	Prin prezenta se atestă faptul că produsele menționate în acest document îndeplinesc cerințele de Drept Comunitar European și pot purta sigla C.E. Aceste modele sunt în conformitate cu următoarele directive și standarde asociate.
ru	Настоящим удостоверяется, что перечисленные в этом документе изделия соответствуют требованиям законов Европейского Союза и могут быть обозначены знаком CE. Эти модели отвечают требованиям следующих директив и соответствующих стандартов.
sl	To služi kot potrđitev, da izdelki, ki so navedeni v tem dokumentu, ustrezajo zahtevam zakonodaje Evropske skupnosti in so lahko opremljeni z oznako CE. Ti modeli so v skladu z naslednjimi direktivami in povezanimi standardi.
sk	Týmto vyhlasujeme, že výrobky uvedené v tomto dokumente, splňajú požiadavky zákonov ES a môžu byť označené značkou CE. Tieto modely vyhovujú nasledujúcim smerniciam príslušným normám.
sv	Härmed försäkras att produkterna som finns listade i detta dokument uppfyller kraven i Europeiska gemenskapens lagstiftning och kan förses med CE-märket. Modellerna uppfyller följande direktiv och tillhörande normer.
tr	Bu belgeyle belirlenen ürünlerin Avrupa Birliği Yasası gereksinimlerini karşılayarak CE işareti taşıyabilmesini onaylamak içindir. Bu modeller aşağıdaki Direktif ve ilgili Standartlarla uyumludur



OSSP Owner's Manual

en Directive: 2006/42/EC	hu Irányelv: 2006/42/EC	pt Diretiva: 2006/42/EC
bg Директива: 2006/42/EC	el Οδηγία: 2006/42/EC	ru Директива: 2006/42/EC
cs Směrnice č. 2006/42/EC	hr Direktiva: 2006/42/EC	ro Directiva: 2006/42/EC
da Direktiv: 2006/42/EF	it Direttiva: 2006/42/EF	sl Direktiva: 2006/42/EF
de Richtlinie: 2006/42/EG	lt Direktyva: 2006/42/EG	sk Smernica: 2006/42/EG
es Directriz: 2006/42/EC	lv Direktīva: 2006/42/EC	sv Direktiv: 2006/42/EC
et Direktiiviga: 2006/42/EÜ	nl Richtlijn: 2006/42/EÜ	tr Direktif: 2006/42/EÜ
fi Direktiivi: 2006/42/EC	no Direktiv: 2006/42/EC	
fr Directives : 2006/42/CE	pl Dyrektywy: 2006/42/CE	

en Model	Guaranteed Sound Power Level	Measured Sound Power Level	Sound Pressure Level at Operator's Ear (1)	Engine Net Power	Hand/Arm Vibration (2)	Mass
bg Модел	Гарантирано ниво на звука	Измерено ниво на звука	Налиягане на звука, измерено на нивото на ухото на оператора (1)	Мощност на двигателя	Вибрация на дланта и на ръката (2)	Маса
cs Model	Garantovaná hladina akustického výkonu	Změřená hladina akustického výkonu	Hladina akustického tlaku naměřená u ucha obsluhující osoby (1)	Užitečný výkon motoru	Vibration rukou/paží (2)	Váha
da Model	Garanteret støjniveau	Målt støjniveau	Lydtryksniveau ved brugersens øre (1)	Maskine Netto kraft	Vibration af hånd/arm (2)	Vægt
de Modell	Garantierter Schalleistungspegel	Gemessener Schalleistungspegel	Schalldruckpegel am Ohr der Bedienungsperson (1)	Motornettleistung	Vibrationen an Hand/Arm (2)	Masse
es Modelo	Nivel garantizado de potencia acústica	Nivel medido de potencia acústica	Nivel de presión acústica en el oído del operador (1)	Potencia neta del motor	Vibración mano / brazo (2)	Masa
et Mudel	Garanteeritud helivõimsuse tase	Mõõdetud helivõimsuse tase	Helirõhu tase kasutaja kõrvajuures (1)	Masin puhas tõõtav	Võkumine käsi / käsivars (2)	Massi
fi Malli	Taattu äänitehotaso	Mitattu äänitehotaso	Äänenpaine taso käyttäjän korvan tasolla (1)	Moottorin nettoteho	Käden/käsivarren värinä (2)	Paino
fr Modèle	Niveau de bruit garanti	Niveau de bruit mesuré	Niveau sonore au niveau de l'oreille de l'opérateur (1)	Puissance nette du moteur	Vibrations au niveau de la main/du bras (2)	Masse
el Μοντέλο	Εγγυημένη στάθμη ηχητικής ισχύος	Μετρηθείσα στάθμη ηχητικής ισχύος	Στάθμη ηχητικής πίεσης στο αυτί του χειριστή (1)	Καθαρή ισχύς κινητήρα	Χειροβραχιονική δόνηση (2)	Μάζα
hu Model	Garantált hangteljesítmény szint	Mért hangteljesítmény szint	Hangnyomás szint a gépközlekedő fülénél (1)	Motor hasznos teljesítménye	Kéz/kar vibráció (2)	Tömeg
hr Model	Zajamčena razina snage zvuka	Izmerjena razina snage zvuka	Razina zvučnog tlaka na uhu rukovatelja (1)	Neto snaga motora	Vibracije šake/ruke (2)	Masa
it Modello	Levello acustico garantito	Levello acustico misurato	Levello di pressione acustica all'orecchio dell'operatore (1)	Potenza netta motore	Vibrazioni a mani/braccia (2)	Massa
lt Modelis	Garantuotas triukšmo lygis	Pamatuotas triukšmo lygis	Garso spaudimo lygis įrangos naudotojui (1)	Variklio bendras galingumas	Rankenos vibracija (2)	Masė
lv Modelis	Garantētais skaņas jaudas līmenis	Izmērītais skaņas jaudas līmenis	Skaņas spiediena līmenis pie operatora auss (1)	Dzinēja neto jauda	Rokas/pleca vibrācija (2)	Masa
nl Model	Gegarandeerd geluidsdrukniveau	Gemeten geluidsdrukniveau	Geluidsdrukniveau bij het oor van de gebruiker (1)	Netto motorvermogen	Trilling van hand/arm (2)	Mass
no Modell	Garantert lydstyrkenivå	Målt lydstyrkenivå	Lydtrykk-nivå ved operatørens øre (1)	Motorens netto krefter	Hånd/arm-vibrasjon (2)	Masse
pl Model	Gwarantowany poziom mocy akustycznej	Zmierzony poziom mocy akustycznej	Poziom ciśnienia akustycznego w uchu operatora (1)	Moc netto silnika	Drgania ręki/ramienia (2)	Masa
pt Modelo	Nível de potência de som garantido	Nível de potência de som medido	Níveis de pressão do som no ouvido do operador (1)	Potência útil do motor	Vibração na mão/braço (2)	Massa
ro Model	Nivel de zgomot garantat	Nivel de zgomot măsurat	Nivel de presiune acustică la urechea operatorului (1)	Putere netă motor	Vibrație mână/braț (2)	Masă
ru Модель	Гарантированный уровень звуковой мощности	Измеренный уровень звуковой мощности	Уровень звукового давления на месте оператора (1)	Полезная мощность двигателя	Интенсивность вибрации на ладонях/руках (2)	Вес
sl Model	Zajamčena raven zvočne moči	Izmerjena raven zvočne moči	Raven zvočnega tlaka pri užesu uporabnika (1)	Izhodna moč motorja	Tresljaji na rokah (2)	Masa
sk Model	Zaručená hladina akustického výkonu	Nameraná hladina akustického výkonu	Hladina akustického tlaku pôsobiaceho na ucho obsluhy (1)	čistý výkon motora	Ruka/Rameno Vibrácia (2)	Masa
sv Modell	Garanterad ljudeffektivnivå	Uppmätt ljudeffektivnivå	Ljudtrycksnivå vid operatörens öra (1)	Motoreffekt netto	Hand-/ armvibrationer (2)	Massa
tr Model	Garantili Ses Gücü Seviyesi	Ölçülen Ses Gücü Seviyesi	Operatörün Kulağındaki Ses Basınç Seviyesi (1)	Makine Net Gücü	El/Kol Titreşimi (2)	Ağırlık
OS90 ISPS	105 dB(A)	104 dB(A)	84 dB(A)	6.7 kW	4.95 m/s ²	142 kg
OS90 ISPH	105 dB(A)	104 dB(A)	84 dB(A)	6.7 kW	7.95 m/s ²	147 kg



OSSP Owner's Manual

(1) ISO 5395-1:2013 F.7 (EN 4871:1996)
(2) ISO 5395-1:2013 G.8 (EN 12096:1997, D.1)

en	Manufacturing Place / Keeper of Documentation	el	Τόπος κατασκευής / Υπεύθυνος πύρησης αρχείων τεκμηρίωσης	pl	Miejsce produkcji / Osoba odpowiedzialna za przechowywanie dokumentów
bg	Място на производство / Архивар	hu	Gyártás helye / A dokumentáció őrzője	pt	Local de Fabrico / Responsável pela Documentação
cs	Místo výroby / Držitel dokumentace	hr	Mjesto proizvodnje / Čuvar dokumentacije	ro	Loc de fabricație / Păstrător documentație
da	Fremstillingssted / Indehaver af dokumentationen	it	Sede di produzione / Archiviatore di documentazione	ru	Место производства / Владелец документации
de	Herstellungsort / Verantwortlicher für die Dokumentation	lt	Pagaminimo vieta / Dokumentacijos turėtojas	sl	Kraj izdelave / Hranitelj dokumentacije
es	Lugar de manufactura / Guardián de documentación	lv	Ražošanas vieta / Dokumentācijas glabātājs	sk	Miesto výroby / Dokumentácia majiteľa
et	Valmistamiskoht / Dokumentatsiooni hoidja	nl	Productieplaats / Documentatiebeheerder	sv	Tillverkningsplats / Dokumentförvaring
fi	Valmistuspaikka / Asiakirjojen haltija	no	Produksjonssted / Dokumentasjonsholder	tr	Üretim Yeri / Doküman Sorumlusu
fr	Lieu de fabrication / Personne chargée de conserver la documentation				

1803 S.W. Jefferson
Lees Summit, MO 64063-
0308 USA

Jeroen Engelen
Schepersweg 4a 6049CV
Herten, NL

Ted Melin
Engineering Manager

Part No. 351508
Revision: F101915B

10/05/2015